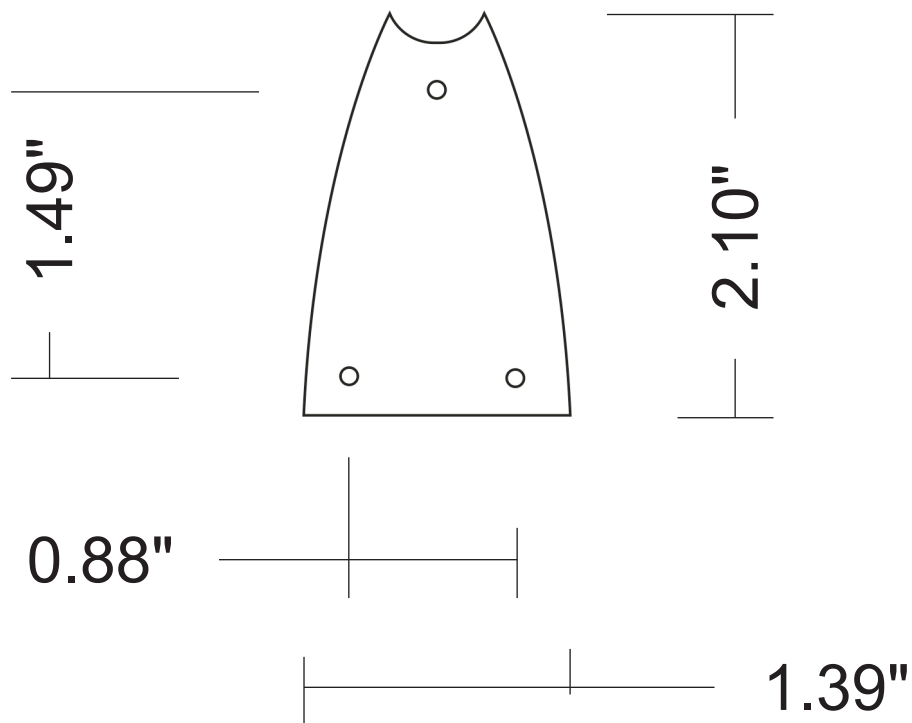
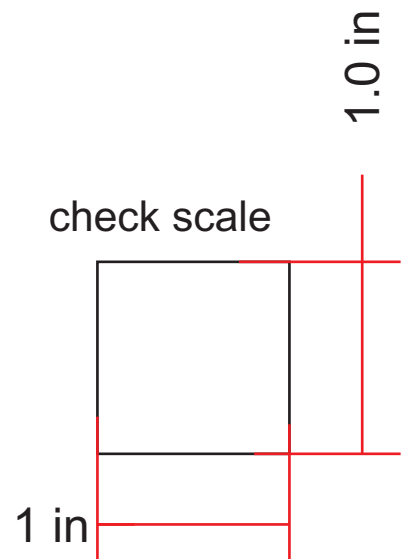


Epiphone® DOT 3 hole truss rod cover



This is set up on an 8.5" x 11" sheet of paper.

You'll need to confirm this is the correct pick guard by printing it at 100% scale



For information on how to confirm the PDF outline see the following link <http://www.terraringuitars.com/pdfFilesConfirmation.html>