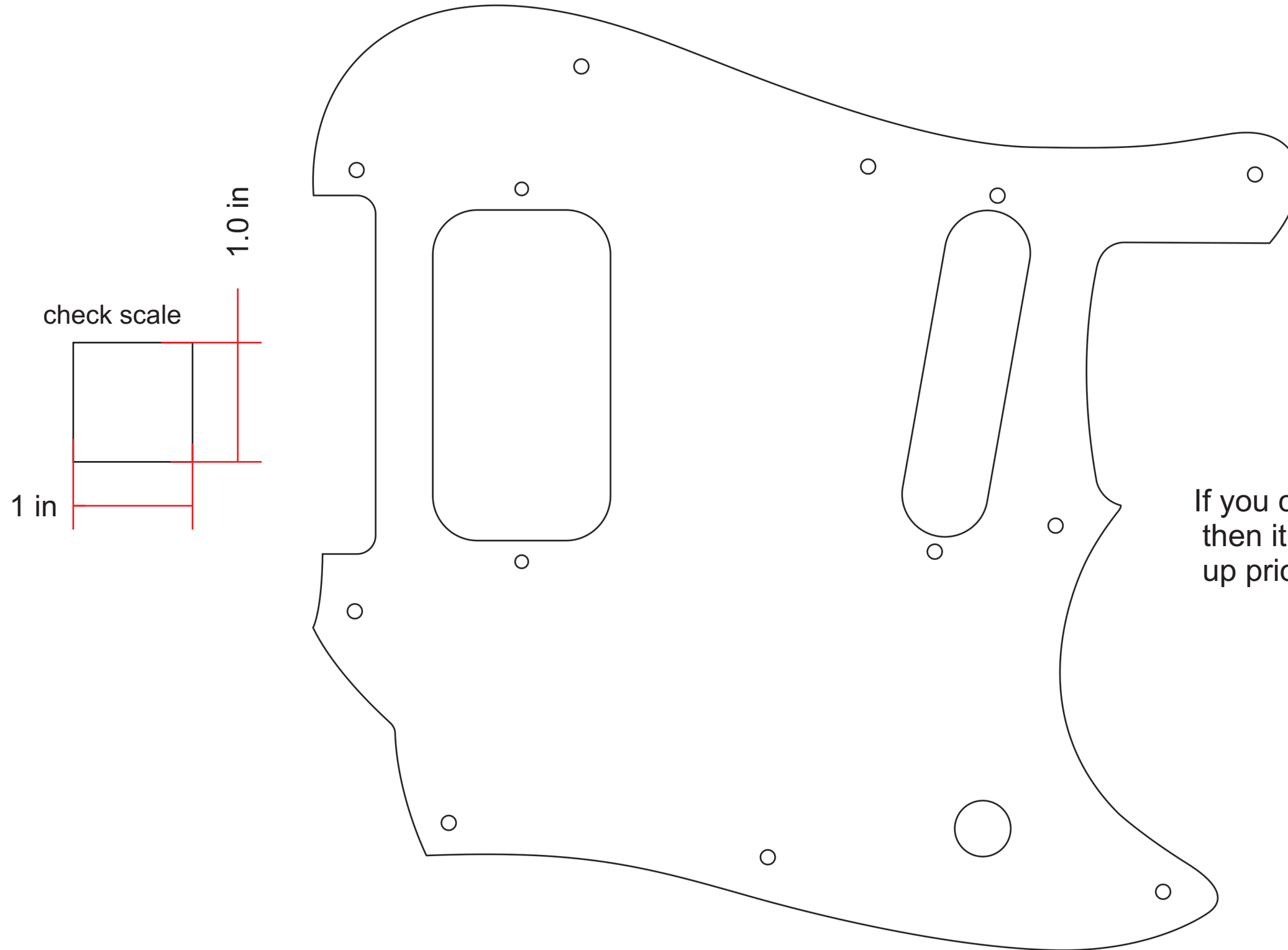


Squire Cyclone 2011

This is set up on an
11" x 17" sheet of paper.

You'll need to confirm this
is the correct pick guard
by printing it at 100% scale

For information on how to confirm the PDF outline see the following link
<http://www.terraringuitars.com/pdfFilesConfirmation.html>



If you can't get the PDF to Measure up right
then it's a good idea to order a laser cut mock
up prior to ordering your final pick guard.