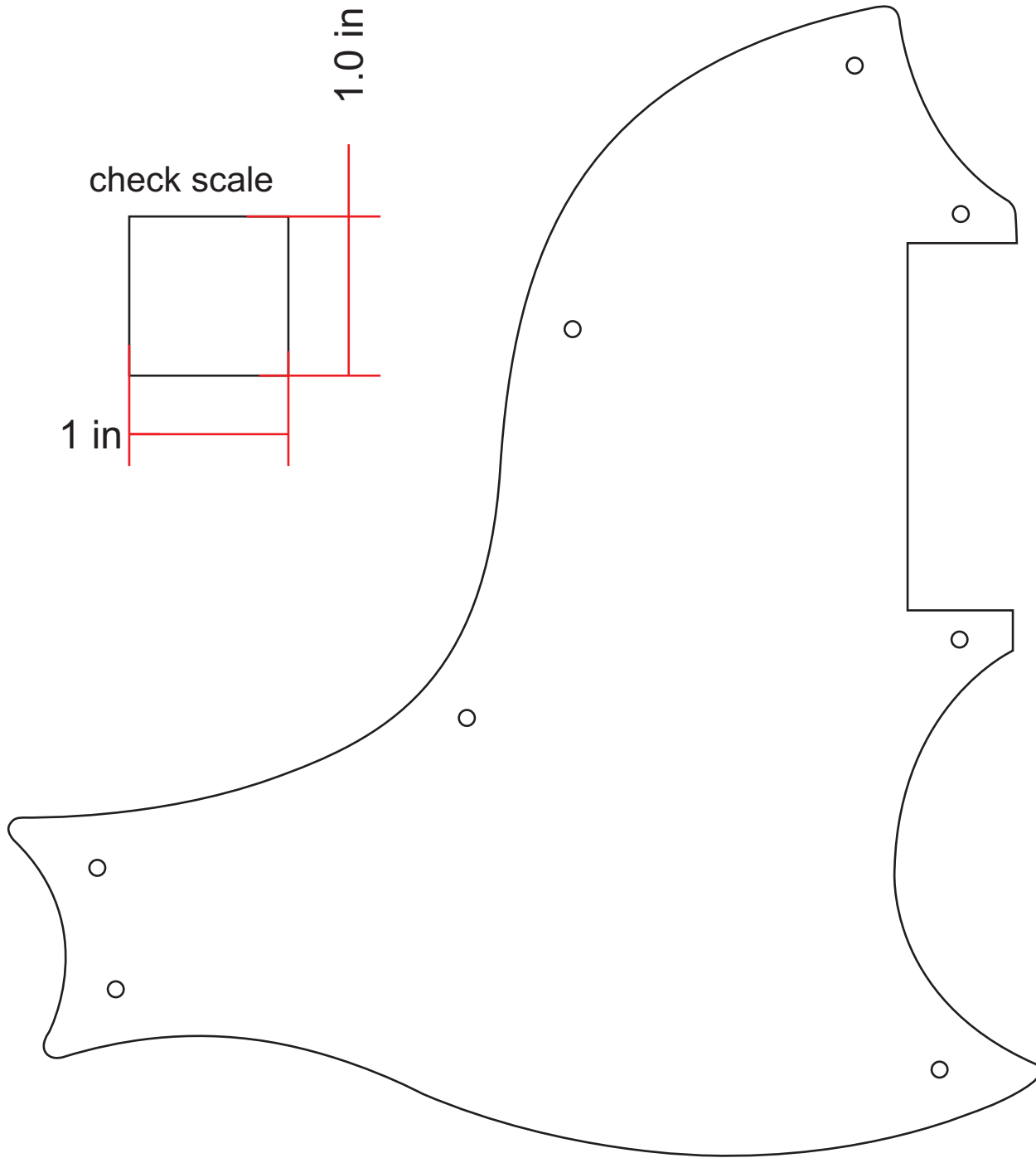


1998 Gibson SG-X



This is set up on an
8.5" x 11" sheet of paper.

You'll need to confirm this
is the correct pick guard
by printing it at 100% scale

For information on how to confirm the PDF outline see the following link
<http://www.terraringuitars.com/pdfFilesConfirmation.html>

We cannot guarantee this guard will fit every Gibson SG-X. If you purchase this pick guard without taking the measures outlined below then any returns will result in a 50% restocking fee.

You will need to print this PDF file at 100% scale and check the 1 inch square to verify the box is 1" x 1". If so then you have it at 100%.

Lay your original pick guard down on the print and see if they match. If Not then you will need to send us your original or a tracing to duplicate. A \$10.00 setup fee may apply.

You could also cut this out and lay it on your guitar but better for that would be a laser cut mock up of this guard cut from card stock and available from the website for \$5.00

Best bet, send your original pick guard or a tracing for duplication. Read the following page for info.

http://www.terrappinguitars.com/index_php.php?content=sendingContent