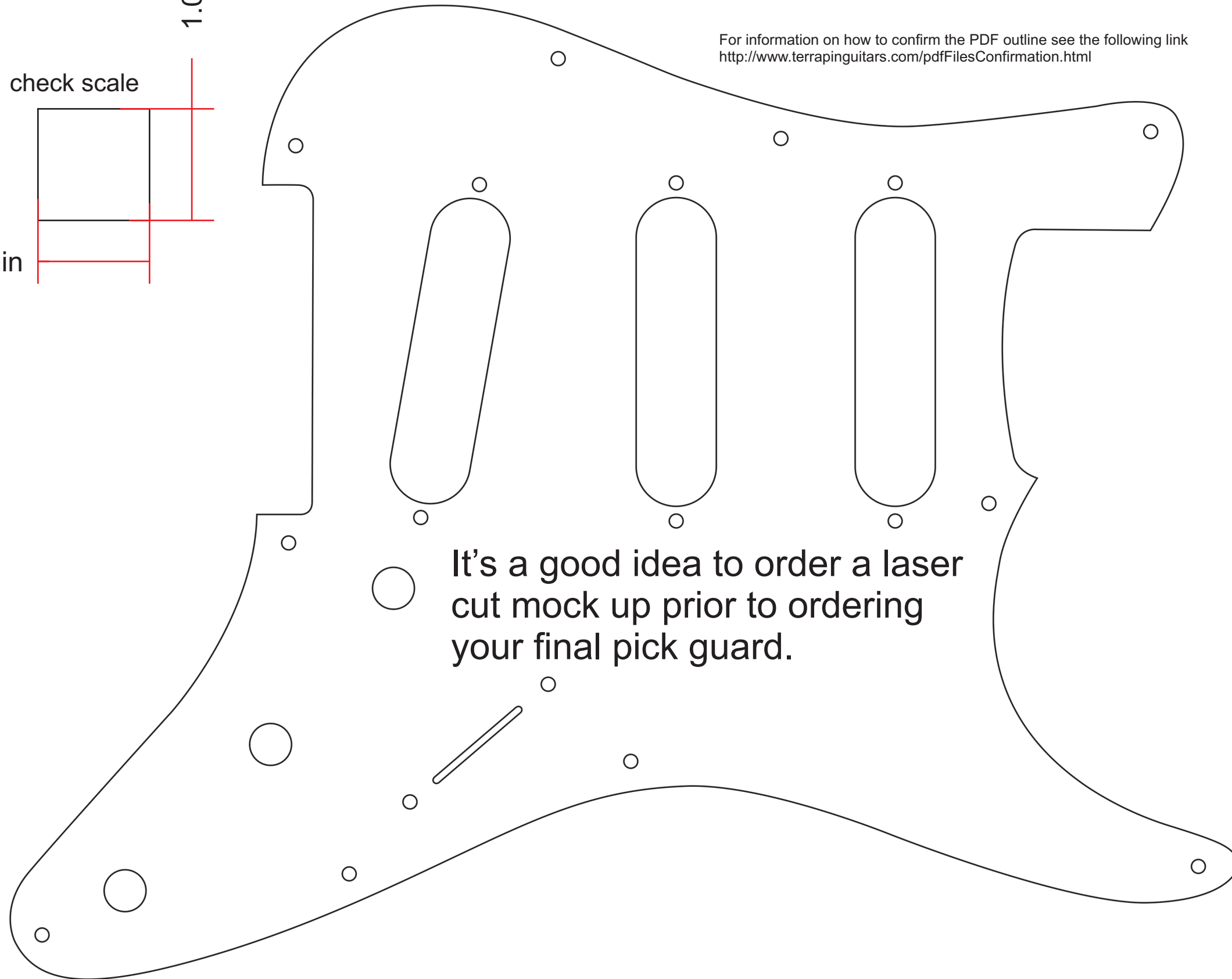
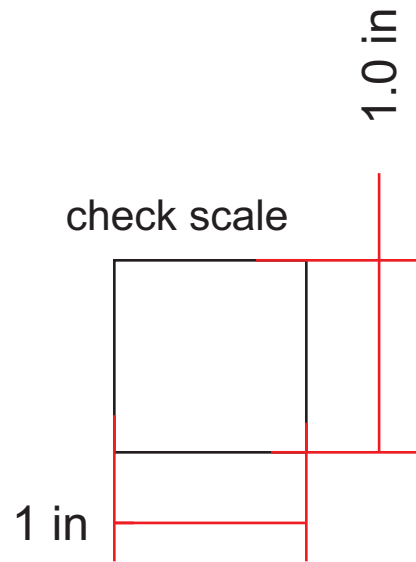


1991 Epiphone S-300

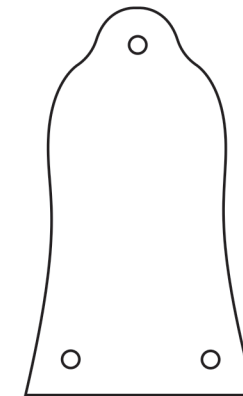
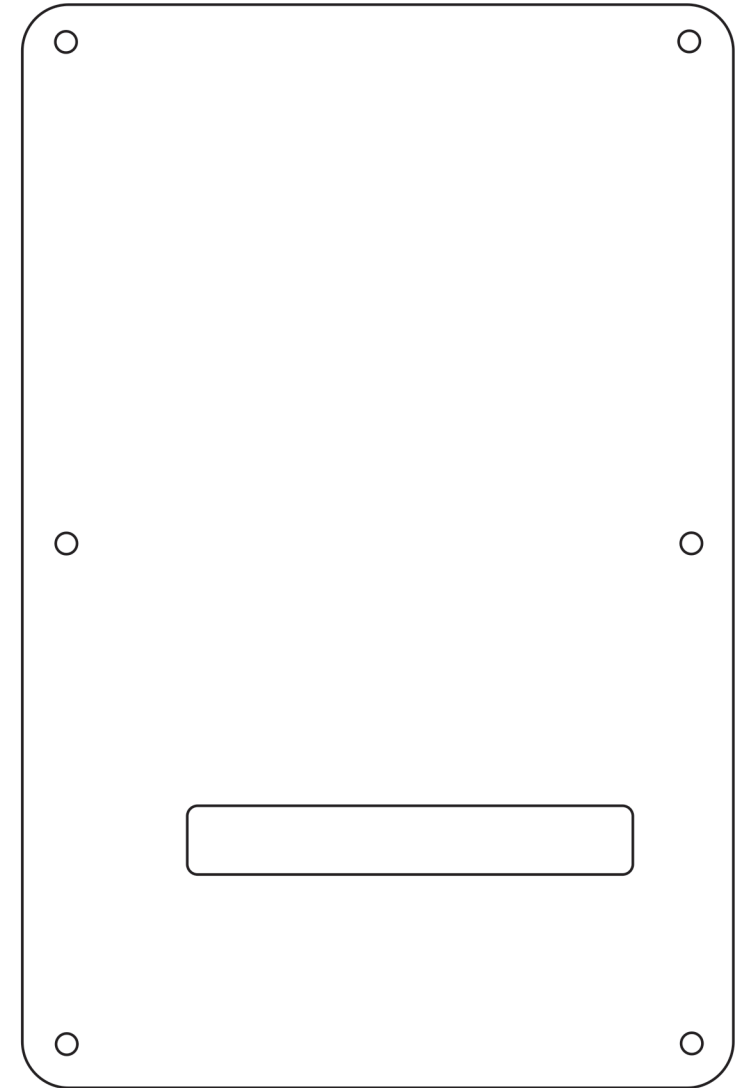
This is set up on an 11" x 17" sheet of paper.

You'll need to confirm this is the correct pick guard by printing it at 100% scale

For information on how to confirm the PDF outline see the following link <http://www.terraringuitars.com/pdfFilesConfirmation.html>



It's a good idea to order a laser cut mock up prior to ordering your final pick guard.



All Items sold separately